

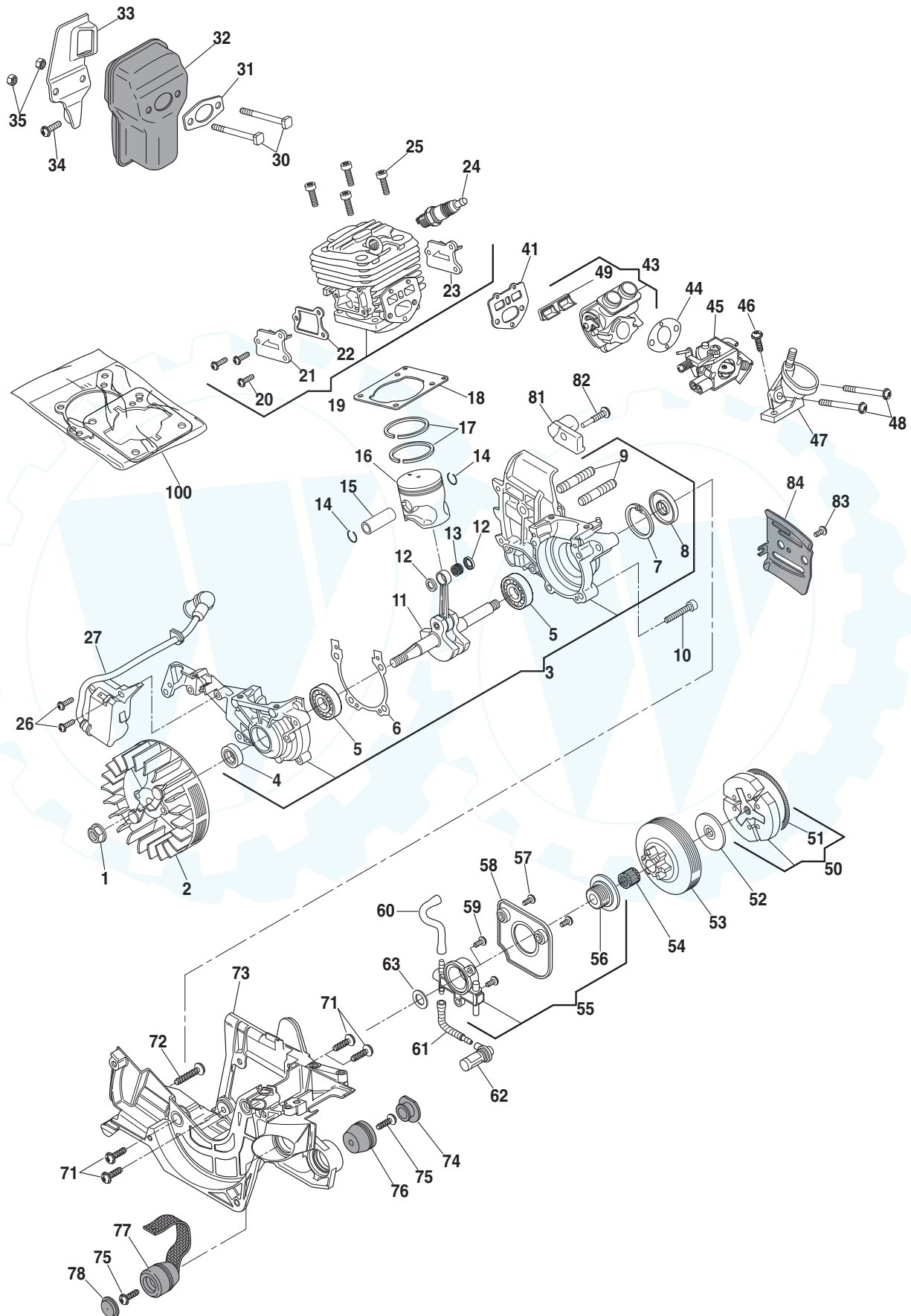
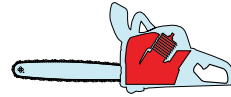
P

402

2008

253.0

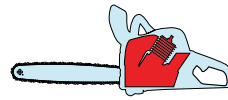
1 / 3



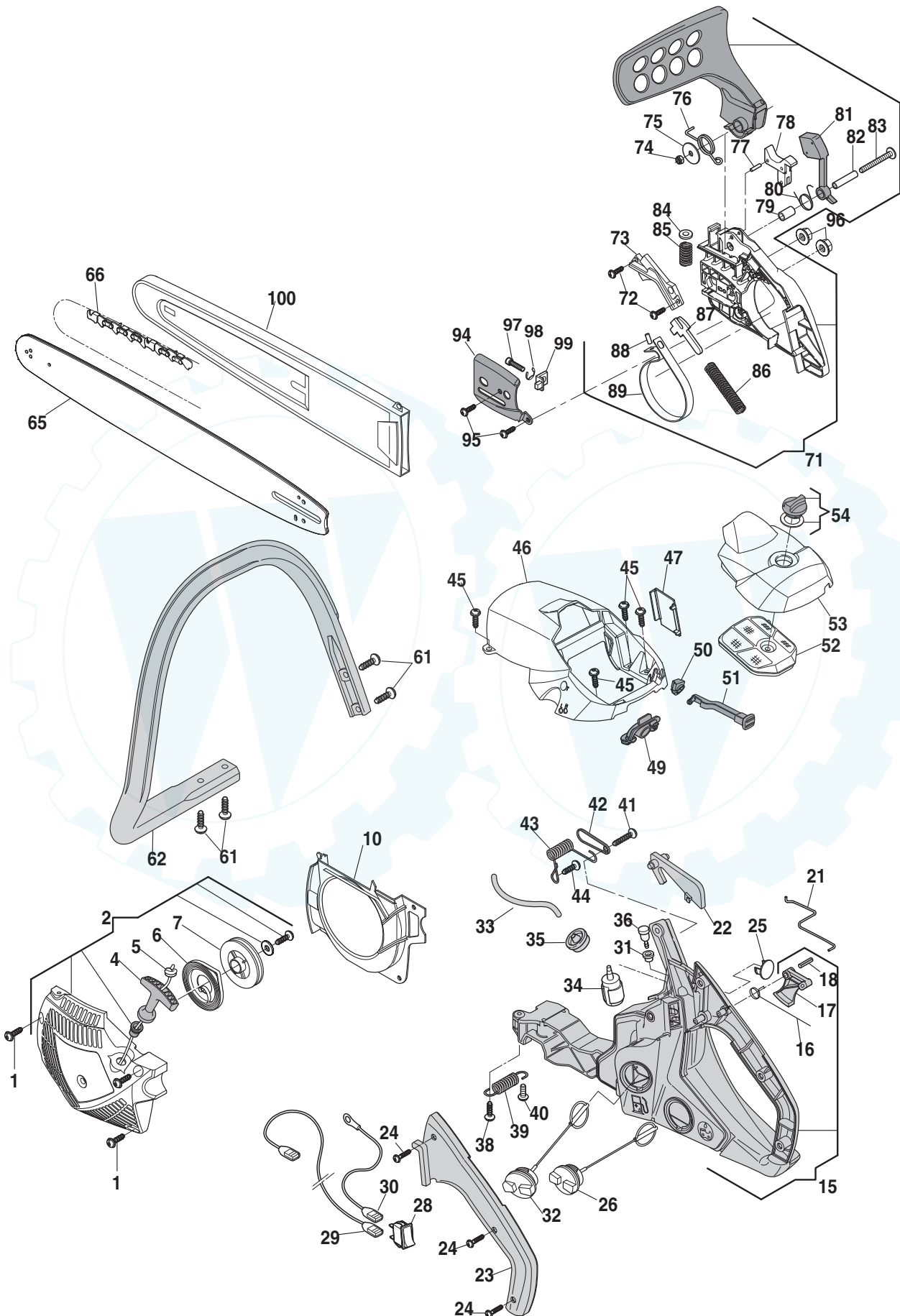
| POS. | CODE | Q.TY | DESCRIZIONE | DESCRIPTION | DESCRIPTION | BESCHREIBUNG | REMARKS |
|------|-------------|------|------------------------|--------------------|-------------------------|----------------------|--------------|
| 1 | 112154200/0 | 1 | DADO | NUT | ECROU | MUTTER | |
| 2 | 383880002/0 | 1 | ASS. VOLANO MAGNETE | FLYWHEEL ASSY | VOLANT AIMANT | SCHWUNGRAD MAGNET | |
| 3 | 6995281 | 1 | ASS.CARTER MOTORE | CRANKASE ASS.Y | ENS. CARTER MOTEUR | PAAR MOTORABDECKUNG | |
| 4 | 6995278 | 1 | ANELLO DI TENUTA | SEAL RING | ANNEAU DE TENUE | DICHTRING | |
| 5 | 6995277 | 2 | CUSCINETTO | BEARING | ROULEMENT | LAGER | |
| 6 | - | 1 | GUARNIZIONE | GASKET | GARNITURE | DICHTUNG | KIT POS. 100 |
| 7 | 6995255 | 1 | ANELLO ELASTICO | ELASTIC RING | ANNEAU ÉLASTIQUE | ELASTISCHER RING | |
| 8 | 6995257 | 1 | ANELLO DI TENUTA | SEAL RING | ANNEAU DE TENUE | DICHTRING | |
| 9 | 6995028 | 2 | PRIGIONIERO BARRA | STUD | PRISONNIER GUIDE | STIFTSCHRAUBE STANGE | |
| 10 | 6995276 | 4 | VITE | SCREW | VIS | SCHRAUBE | |
| 11 | 6995314 | 1 | ASS. ALBERO MOTORE | CRANKSHAFT | ARBRE MOTEUR | SET MOTORWELLE | |
| 12 | 6995265 | 2 | RONDELLA | WASHER | RONDELLE | UNTERLEGSCHIEBE | |
| 13 | 6995304 | 1 | CUSCINETTO | BEARING | ROUL. À BILLES | KUGELLAGER | |
| 14 | 6995256 | 2 | FERMO SPINOTTO | WASHER, PISTON PIN | CIRCLIP POINTEAU | ANSCHLAG ZAPFEN | |
| 15 | 6995313 | 1 | SPINOTTO PISTONE | PISTON PIN | POINTEAU PISTON | KOLBENBOLZEN | |
| 16 | 6995287 | 1 | PISTONE | PISTON | PISTON | KOLBEN | |
| 17 | 6995258 | 2 | FASCIA ELASTICA | PISTON RING | COLLIER ÉLASTIQUE | KOLBENRING | |
| 18 | - | 1 | GUARNIZIONE | GASKET | GARNITURE | DICHTUNG | KIT POS. 100 |
| 19 | 6995284 | 1 | ASS. CILINDRO | CYLINDER ASSY | ENS.CYLINDRE | SET ZYLINDER | |
| 20 | 123878020/0 | 6 | VITE | SCREW | VIS | SCHRAUBE | |
| 21 | 6995320 | 1 | COPERCHIO | COVER | COUVERCLE | DECKEL | |
| 22 | 6995322 | 2 | GUARNIZIONE | GASKET | GARNITURE | DICHTUNG | |
| 23 | 6995321 | 1 | COPERCHIO | COVER | COUVERCLE | DECKEL | |
| 24 | 23051000/0 | 1 | CANDELA | SPARK PLUG | BOUGIE | ZÜNDKERZE | |
| 25 | 6995319 | 4 | VITE | SCREW | VIS | SCHRAUBE | |
| 26 | 123878021/0 | 2 | VITE | SCREW | VIS | SCHRAUBE | |
| 27 | 383044000/0 | 1 | BOBINA ELETTRONICA | ELECTRONIC COIL | BOBINE ÉLECTRONIQUE | ELEKTRONIKSPULE | |
| 30 | 123878028/0 | 2 | VITE | SCREW | VIS | SCHRAUBE | |
| 31 | 123280012/0 | 1 | GUARNIZIONE | GASKET | GARNITURE | DICHTUNG | |
| 32 | 183740000/0 | 1 | ASS. SILENZIATORE | MUFFLER ASSY | SILENCIEUX | SET SCHALLDÄMPFER | |
| 33 | 323140055/0 | 1 | DEFLETTORE | DEFLECTOR | DEFLECTEUR | ABWEISER | |
| 34 | 123878022/0 | 1 | VITE | SCREW | VIS | SCHRAUBE | |
| 35 | 2432040 | 2 | DADO | NUT | ECROU | MUTTER | |
| 41 | 123280015/0 | 1 | GUARNIZIONE | GASKET | GARNITURE | DICHTUNG | |
| 43 | 383073500/0 | 1 | COLLETTORE ASPIRAZIONE | INTAKE MANIFOLD | COLLECTEUR D'ASPIRATION | KOLLEKTOR ANSAUGUNG | |
| 44 | 123280011/0 | 1 | GUARNIZIONE | GASKET | GARNITURE | DICHTUNG | |
| 45 | 123054015/0 | 1 | CARBURATORE | CARBURETTOR | CARBURATEUR | VERGASER | |
| 46 | 123878024/0 | 1 | VITE | SCREW | VIS | SCHRAUBE | |
| 47 | 323073503/0 | 1 | COLLETTORE ARIA | AIR MANIFOLD | COLLECTEUR AIR | LUFTKOLLEKTOR | |
| 48 | 123878019/0 | 2 | VITE | SCREW | VIS | SCHRAUBE | |
| 49 | 323275015/0 | 1 | GUARNIZIONE | GASKET | GARNITURE | DICHTUNG | |
| 50 | 383215001/0 | 1 | ASS. FRIZIONE | CLUTCH ASS.Y | FRICTION | SET KUPPLUNG | |
| 51 | 123430566/0 | 1 | MOLLA | SPRING | RESSORT | FEDER | |
| 52 | 323657006/0 | 1 | RASAMENTO CAMPANA | SPROCKET WASHER | RONDELLE CLOCHE | SCHEIBE GLOCKE | |
| 53 | 323050003/0 | 1 | ASS.CAMPANA FRIZIONE | DRUM ASS'Y, CLUTCH | CLOCHE FRICTION | SET KUPPLUNGSGLOCKE | |
| 54 | 123235000/0 | 1 | GABBIA A RULLI | NEEDLE BEARING | CAGE À ROULEMENTS | WALZENKÄFIG | |
| 55 | 383594502/0 | 1 | ASS. POMPA OLIO | OIL PUMP ASSY | POMPE À HUILE | SET ÖLPUMPE | |
| 56 | 323878026/0 | 1 | VITE SENZA FINE | FEMALE SCREW | VIS SANS FIN | ENDLOSSCHRAUBE | |
| 57 | 123878021/0 | 4 | VITE | SCREW | VIS | SCHRAUBE | |

| POS. | CODE | Q.TY | DESCRIZIONE | DESCRIPTION | DESCRIPTION | BESCHREIBUNG | REMARKS |
|------|-------------|------|---------------------------|------------------|------------------------------|---------------------|---------|
| 58 | 323109524/0 | 1 | COPERCHIO POMPA | COVER PUMP | COUVERCLE POMPE | DECKEL ÖLPUMPE | |
| 60 | 323867005/0 | 1 | TUBO | TUBE | TUBE | ROHR | |
| 61 | 323867004/0 | 1 | TUBO PESCANTE OLIO | PICKUP OIL | TUYAU PLONGEUR HUILE | TREISTOFFZUFUHR | |
| 62 | 323220002/0 | 1 | ASS. FILTRO OLIO | OIL FILTER ASS.Y | FILTRE À HUILE | SET ÖLFILTER | |
| 63 | 323652503/0 | 1 | RONDELLA | WASHER | RONDELLE | UNTERLEGSCHIEBE | |
| 71 | 123878022/0 | 4 | VITE | SCREW | VIS | SCHRAUBE | |
| 72 | 123878024/0 | 1 | VITE | SCREW | VIS | SCHRAUBE | |
| 73 | 323057003/0 | 1 | ASS.CARTER MOTORE | CRANKASE ASS.Y | ENS. CARTER MOTEUR | PAAR MOTORABDECKUNG | |
| 74 | 323790010/0 | 1 | TAPPO PER GOMMINO ANTIVIB | CAP | BOUCH. POUR CAOUT. ANTI-VIB. | STOPFEN | |
| 75 | 123878024/0 | 2 | VITE | SCREW | VIS | SCHRAUBE | |
| 76 | 323275008/0 | 1 | GOMMINO ANTIVIBRANTE | SHOCK ABSORBER | CAOUTCHOUC ANTI-VIBRATIONS | SCHWINGUNGSDÄMPFER | |
| 77 | 323275009/0 | 1 | GOMMINO ANTIVIBRANTE | SHOCK ABSORBER | CAOUTCHOUC ANTI-VIBRATIONS | SCHWINGUNGSDÄMPFER | |
| 78 | 323790011/0 | 1 | TAPPO PER GOMMINO ANTIVIB | CAP | BOUCH. POUR CAOUT. ANTI-VIB. | STOPFEN | |
| 81 | 323202000/0 | 1 | FERMACATENA | CHAIN GUARD | BUTÉE CHAÎNE | KETTENSTOP | |
| 82 | 123878018/0 | 1 | VITE | SCREW | VIS | SCHRAUBE | |
| 83 | 123878020/0 | 1 | VITE | SCREW | VIS | SCHRAUBE | |
| 84 | 323311005/0 | 1 | PIASTRINA | PLATE | PLAQUE | PLATTE | |

P
402



2008
254.0
1 / 3



| POS. | CODE | Q.TY | DESCRIZIONE | DESCRIPTION | DESCRIPTION | BESCHREIBUNG | REMARKS |
|------|-------------|------|--------------------------------|--------------------------|---------------------------------|-------------------------------|---------|
| 1 | 123878024/0 | 3 | VITE | SCREW | VIS | SCHRAUBE | |
| 2 | 383058018/0 | 1 | ASS. AVVIATORE GIALLO | STARTER ASSY YELLOW | DÉMARREUR JAUNE | SET STARTER GELB | |
| - | 383058019/0 | 1 | ASS. AVVIATORE ROSSO | STARTER ASSY RED | DÉMARREUR ROUGE | SET STARTER ROT | |
| - | 383058020/0 | 1 | ASS. AVVIATORE ARAN- CIONE | STARTER ASSY ORANGE | DÉMARREUR ORANGE | SET STARTER ORANGE | |
| 3 | 323044211/0 | 1 | GOMMINO PASSACAVO | GROMMET | CAOUTCHOUC PASSE- CÂBLE | LIPPKLAMPE | |
| 4 | 3750067 | 1 | IMPUGNATURA AVVIA- MENTO | STARTER HANDLE | POIGNÉE DÉMARRAGE | GRIFF STARTER | |
| 5 | 123234002/0 | 1 | FUNE AVVIAMENTO | STARTER CORD | CÂBLE DÉMARRAGE | SEIL STARTER | |
| 6 | 123430577/0 | 1 | MOLLA AVVIAMENTO | STARTER SPRING | RESSORT DÉMARRAGE | FEDER STARTER | |
| 7 | 323604003/0 | 1 | PULEGGIA AVVIAMENTO | STARTER PULLEY | POULIE DÉMARRAGE | RIEMENSCHLEIBE STAR- TER | |
| 8 | 3613420 | 1 | RONDELLA | WASHER | RONDELLE | UNTERLEGSCHLEIBE | |
| 9 | 123878024/0 | 1 | VITE | SCREW | VIS | SCHRAUBE | |
| 10 | 323107503/0 | 1 | CONVOGLIATORE ARIA | AIR CONVEYOR | CONVOYEUR AIR | LUFTSAMMELLEITUNG | |
| 15 | 383300015/0 | 1 | ASS. IMPUGNATURA | HANDLE ASSY | ENS. POIGNÉE | SATZ GELBER | |
| 16 | 123430567/0 | 1 | MOLLA LEVA ACCELE- RATORE | SPRING | RESSORT | FEDER GASHEBEL | |
| 17 | 323315063/0 | 1 | LEVA ACCELERATORE | THROTTLE LEVER | LEVIER ACCÉLÉRATEUR | GASHEBEL | |
| 21 | 123835001/0 | 1 | TIRANTE ACCELE- RATORE | THROTTLE ROD | TIGE ACCÉLÉRATEUR | SPANNSTIFT GASHEBEL | |
| 22 | 323315064/0 | 1 | LEVA SICUREZZA | SAFETY LEVER | LEVIER DE SÉCURITÉ | SICHERHEITSHABEL | |
| 23 | 323109520/0 | 1 | PARTE SUPERIORE IMPUGNATURA | HANDLE, UPPER PART | POIGNÉE, PARTIE SUPE- RIEURE | GRIFF, OBERTEIL | |
| 24 | 123878025/0 | 1 | VITE | SCREW | VIS | SCHRAUBE | |
| 25 | 323790009/0 | 1 | TAPPO | CAP | BOUCHON | STOPFEN | |
| 26 | 383790003/0 | 1 | TAPPO OLIO | CAP OIL TANK | BOUCHON D'HUILE | ÖLDECKEL | |
| 28 | 3210970 | 1 | INTERRUTTORE STOP | SWITCH | INTERRUPTEUR D'AR- RÊT | STOP-SCHALTER | |
| 29 | 123065018/0 | 1 | CAVO DI STOP | STOP WIRE | CÂBLE ARRÊT | KABELSPERRE | |
| 30 | 123065017/0 | 1 | CAVO MASSA | EARTH CABLE | CÂBLE MASSE | ERDUNGSKABEL | |
| 31 | 323275013/0 | 1 | GOMMINO | GROMMET | CAOUTCHOUC | GUMMI | |
| 32 | 383790002/0 | 1 | ASS. TAPPO MIX | FUEL TANK-CAP ASS.Y | BOUCHON MÉLANGE | SET DECKEL TREIBSTOFF | |
| 33 | 323867003/0 | 1 | TUBO PESCANTE MIX | FUEL LINE | TUYAU PLONGEUR MÉLANGE | TREIBSTOFF-ZUFUHRLEI- TUNG | |
| 34 | 183520000/0 | 1 | ASS. PESCANTE MI- SCELA | INTAKE FILTER ASSY | PLONGEUR MÉLANGE | TREIFSTOFFLEITUNG | |
| 35 | 323275011/0 | 1 | GOMMINO PASSATUBI | GROMMET | RONDELLE CAOU- TCHOUC | GUMMIRINGE | |
| 36 | 183875001/0 | 1 | ASS. VALVOLA SFIATO | BREATHER VALVE ASS.Y | VANNE ÉVENT | SET LÜFTUNGSVENTIL | |
| 38 | 123878024/0 | 1 | VITE | SCREW | VIS | SCHRAUBE | |
| 39 | 123430568/0 | 1 | MOLLA | SPRING | RESSORT | FEDER | |
| 40 | 123878022/0 | 1 | VITE | SCREW | VIS | SCHRAUBE | |
| 41 | 123878024/0 | 1 | VITE | SCREW | VIS | SCHRAUBE | |
| 42 | 323208402/0 | 1 | PIASTRINA | PLATE | PLAQUE | HALTEBLECH | |
| 43 | 123430569/0 | 1 | MOLLA | SPRING | RESSORT | FEDER | |
| 45 | 123878024/0 | 4 | VITE | SCREW | VIS | SCHRAUBE | |
| 46 | 323087005/1 | 1 | COPRICILINDRO GIALLO | CYLINDER COVER YELLOW | COUVRE-CYLINDRE JAUNE | ZYLINDERABD. GELB | |
| - | 323087006/1 | 1 | COPRICILINDRO ROSSO | CYLINDER COVER RED | COUVRE-CYLINDRE ROUGE | ZYLINDERABD. ROT | |
| - | 323087007/1 | 1 | COPRICILINDRO ARAN- CIONE | CYLINDER COVER ORANGE | COUVRE-CYLINDRE ORANGE | ZYLINDERABD. ORANGE | |
| 47 | 323653500/0 | 1 | TAPPO | CAP | BOUCHON | STOPFEN | |
| 49 | 323796006/0 | 1 | GOMMINO | GROMMET | CAOUTCHOUC | GUMMI | |
| 50 | 323796007/0 | 1 | GOMMINO LEVA ARIA | GROMMET | CAOUTCHOUC LEVIER AIR | GUMMI CHOCKERHEBEL | |
| 51 | 323315065/0 | 1 | LEVA ARIA | CHOKER LEVER | LEVIER AIR | CHOKERHEBEL | |

| POS. | CODE | Q.TY | DESCRIZIONE | DESCRIPTION | DESCRIPTION | BESCHREIBUNG | REMARKS |
|------|-------------|------|--------------------------------|------------------------------|----------------------------|------------------------|----------------------------------|
| 52 | 383220000/0 | 1 | FILTRO ARIA | AIR FILTER | FILTRE À AIR | LUFTFILTER | |
| 53 | 323090019/0 | 1 | COPRIFILTRO GIALLO | FILTER COVER YELLOW | COUVRE-FILTRE JAUNE | FILTERABD. GELB | |
| - | 323090020/0 | 1 | COPRIFILTRO ROSSO | FILTER COVER RED | COUVRE-FILTRE ROUGE | FILTERABD. ROT | |
| - | 323090021/0 | 1 | COPRIFILTRO ARANCIONE | FILTER COVER ORANGE | COUVRE-FILTRE ORANGE | FILTERABD. ORANGE | |
| 54 | 383593501/0 | 1 | ASS. POMELLO | KNOB ASS'Y | ENS. BOUTON | SET KNAUF | |
| 61 | 123878025/0 | 4 | VITE | SCREW | VIS | SCHRAUBE | |
| 62 | 323105001/0 | 1 | CORRIMANO | HANDLE | MAIN-COURANTE | HANDLAUF | |
| 65 | 123900115/0 | 1 | BARRA GUIDA 13" | GUIDE BAR 16" | GUIDE-CHAÎNE 16" | KETTENSTEG 16" | 13" 325" .050" (1.3 MM) |
| 66 | 4113710 | 1 | CATENA 13" | CHAIN 16" | CHAÎNE 16" | KETTE 16" | 13" 325" .050" (1.3 MM) - 56E |
| 71 | 383059013/0 | 1 | ASS. CARTER FRIZIONE GIALLO | CLUTCH HO. W/BR. ASSY YELLOW | CARTER FRICTION JAUNE | KUPPLUNGSGEH. GELB | |
| - | 383059014/0 | 1 | ASS. CARTER FRIZIONE ROSSO | CLUTCH HO. W/BR. ASSY RED | CARTER FRICTION ROUGE | KUPPLUNGSGEH. ROT | |
| - | 383059015/0 | 1 | ASS. CARTER FRIZIONE ARANCIONE | CLUTCH HO. W/BR. ASSY ORANGE | CARTER FRICTION ORANGE | KUPPLUNGSGEH. ORANGE | |
| 72 | 123878023/0 | 2 | VITE | SCREW | VIS | SCHRAUBE | |
| 73 | 323109525/0 | 1 | COPERCHIO FRENO | BRAKE COVER | COUVERCLE FREIN | BREMSDECKEL | |
| 74 | 112154320/0 | 1 | DADO | NUT | ECROU | MUTTER | |
| 75 | 123657007/0 | 1 | RONDELLA | WASHER | RONDELLE | UNTERLEGSSCHEIBE | |
| 76 | 123430573/0 | 1 | MOLLA | SPRING | RESSORT | FEDER | |
| 77 | 123753001/0 | 1 | RULLINO | ROLLER | ROULEAU | WALZE | |
| 78 | 383315051/0 | 1 | LEVA AGGANCIO FRENO CATENA | CHAIN BRAKE LEVER | LEVIER ENCL. FREIN CHAÎNE | KLEMMUNG KETTEN-BREMSE | |
| 79 | 123044213/0 | 1 | DISTANZIALE | BUSHING | ENTRETOISE | DISTANZSTÜCK | |
| 80 | 123430572/0 | 1 | MOLLA | SPRING | RESSORT | FEDER | |
| 81 | 323080001/0 | 1 | CONTRAPPESO | BALANCE WEIGHT | CONTREPOIDS | GEGENGEWICHT | |
| 82 | 123044213/0 | 1 | DISTANZIALE | BUSHING | ENTRETOISE | DISTANZSTÜCK | |
| 83 | 123878017/0 | 1 | VITE | SCREW | VIS | SCHRAUBE | |
| 84 | 323670001/1 | 1 | PIASTRINA | PLATE | PLAQUE | HALTEBLECH | |
| 85 | 123430573/0 | 1 | MOLLA | SPRING | RESSORT | FEDER | |
| 86 | 123430565/0 | 1 | MOLLA | SPRING | RESSORT | FEDER | |
| 87 | 323315066/0 | 1 | LEVA AGGANCIO FRENO | LEVER | LEVIER ENCLENCHEMENT FREIN | HEBEL F. BREMSE | |
| 88 | 123753000/0 | 1 | RULLINO | NEEDLE | ROULEAU | WALZE | |
| 89 | 323448003/0 | 1 | NASTRO FRENO | BRAKE BAND | BANDE FREIN | BREMSBAND | |
| 94 | 323311006/0 | 1 | LAMIERINO BARRA ESTERNO | PLATE | PLAQUE GUIDE EXTERNE | BLECH STANGE AUßEN | |
| 95 | 123878023/0 | 2 | VITE | SCREW | VIS | SCHRAUBE | |
| 96 | 2670270 | 2 | DADO | NUT | ECROU | MUTTER | |
| 97 | 123878029/0 | 1 | VITE TENDICATENA | SCREW | VIS | SCHRAUBE | |
| 98 | 112000910/0 | 1 | ANELLO ELASTICO | ELASTIC RING | ANNEAU ÉLASTIQUE | ELASTISCHER RING | |
| 99 | 3614310 | 1 | TASSELLO TENDICATENA | BAR ADJUSTING BLOCK | GOUJON TENDEUR CHAÎNE | KETTENSANNER | |
| 100 | 4181297 | 1 | COPRIBARRA | CHAIN COVER | PROTÈGE-GUIDE | SCHW. STANGENABDECKUNG | |